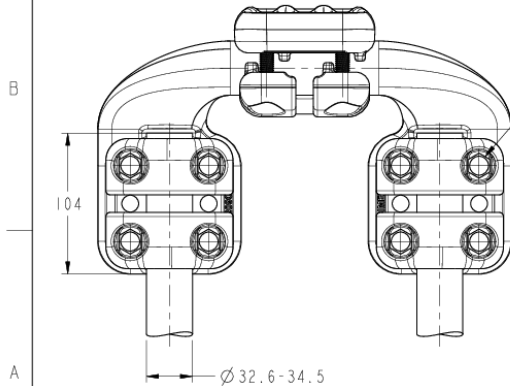
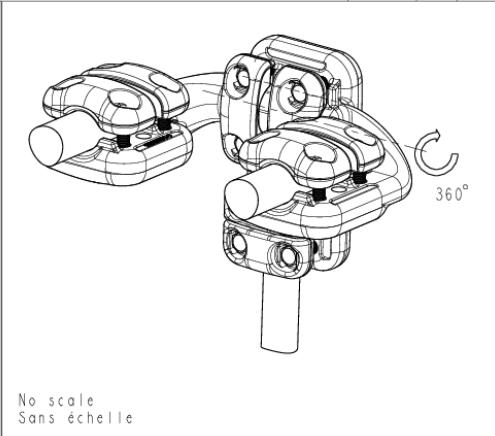
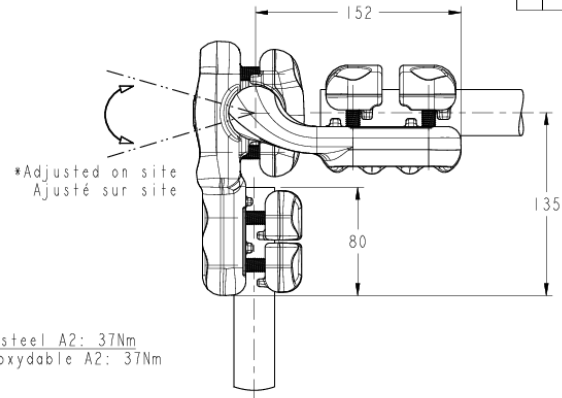
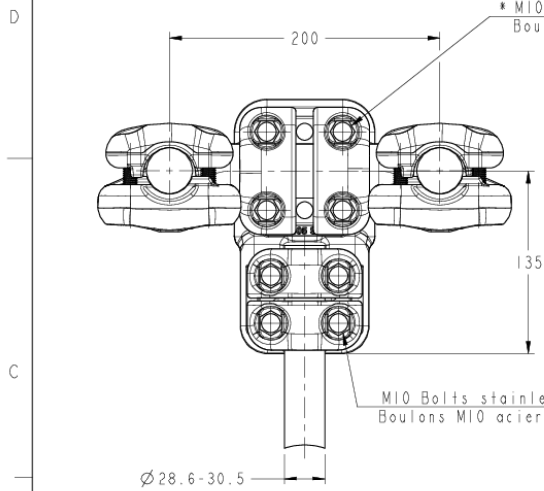


REVISIONS					
P	LTR	DESCRIPTION	DATE	DWN	APVD
A		CREATION	10APR2023	SR	CG



M10 Bolts stainless steel A2: 37Nm  
Boulons M10 acier inoxydable A2: 37Nm

\* In case of loosening contact surfaces must be cleaned and greased. Refer to installation instruction.  
En cas de desserrage, les surfaces de contact doivent être nettoyées et graissées. Se référer à la notice d'installation.

THIS DRAWING IS A CONTROLLED DOCUMENT.		DWN	S. RANJITH	10APR2023	<b>STE</b> TE Connectivity
		CHK	M. PREVOT	10APR2023	
		APVD	C. GLOMMEAU	10APR2023	NAME ADJUSTABLE CONNECTOR RACCORD AJUSTABLE 5 CTA 82 F M345 E200 S305
		PRODUCT SPEC	108-69096-001	APPLICATION SPEC	
DIMENSIONS: mm		TOLERANCES UNLESS OTHERWISE SPECIFIED:		SIZE CAGE CODE DRAWING NO	
0 PLC ±		0 PLC ±		RESTRICTED TO	
1 PLC ±		1 PLC ±		-	
2 PLC ±		2 PLC ±		-	
3 PLC ±		3 PLC ±		-	
4 PLC ±		4 PLC ±		-	
ANGLES ±		ANGLES ±		-	
MATERIAL		FINISH		WEIGHT	
-		-		3.24 kg	
				A 3 00779 C=2457437	
		CUSTOMER DRAWING		SCALE 1:3 SHEET OF 1 REV A	